

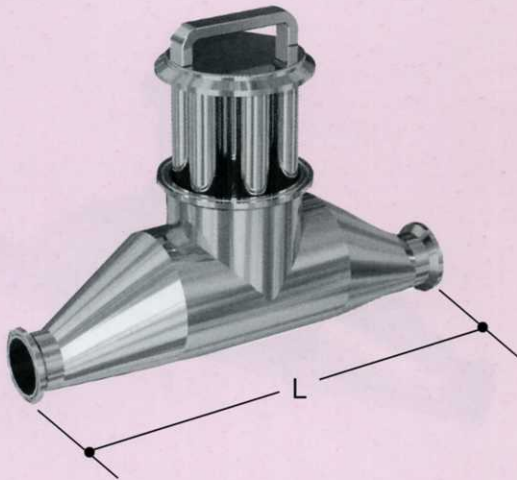


MAGNETEC JAPAN LTD.

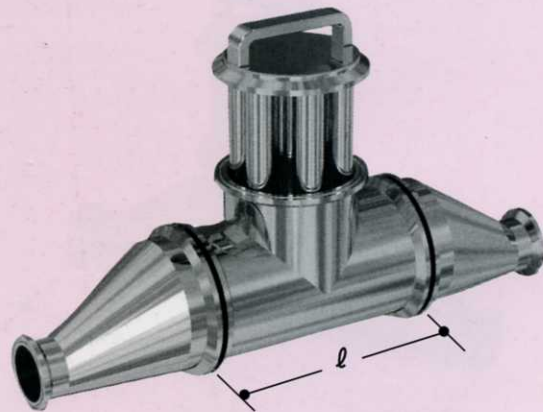
# ROUND TYPE MAGNET FILTER

- Specification : Application for Food & Medical Industry
- Structure : Free Liquid Standing
- Rounded Welding : High Reliability
- Characteristics : Corrosion-Resistance, Heat-Resistance
- Ultra Powerful Magnetic Force : Rare Earth Magnet Nd, Sm

MLR-455



MLR-557P



Casing : SUS304/316/316L · Titanium

Model	Size (IDF)	Nos.of Magnet	Length( ℓ ) (mm)
MLR-354 (P)	3.5 S	4	400 (170)
MLR-404 (P)	4.0 S	4	400 (220)
MLR-455 (P)	4.5 S	5	400 (230)
[ MLR-457 (P) ]	4.5 S	7	400 (230)
MLR-557 (P)	5.5 S	7	520 (240)

Magnet	Nd (-N), Sm (-S)
--------	------------------

※ Custom sizes are Available.

REPRESENTATIVE (Faint contact information for representatives)	MANUFACTURING: <b>MAGNETEC JAPAN LTD.</b> MAIN OFFICE : Phone 81-4-2948-9995 FAX 81-4-2948-6628 E-mail: support @ magnetec.co.jp URL: http://www.magnetec.co.jp
---	---

※ Magnetic Flux Density can be designed and conformed to your requirement.  
 ※ Model and Specification subject to change without Notice.