

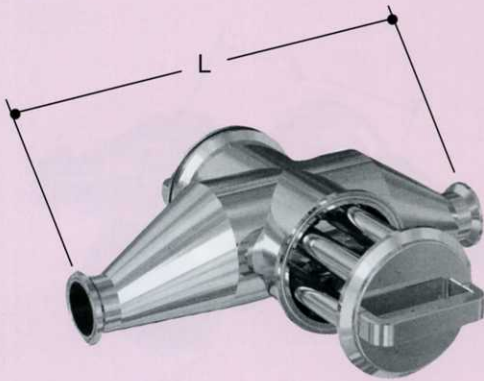


MAGNETEC JAPAN LTD.

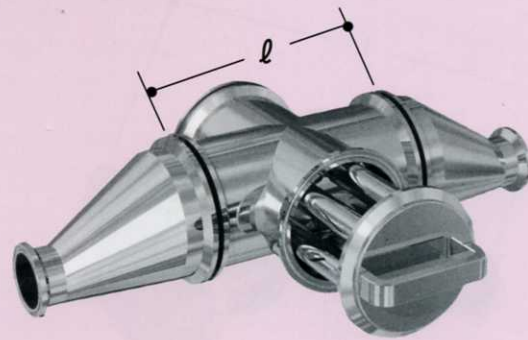
CROSS TYPE MAGNET FILTER

- Specification : Application for Food & Medical Industry
- Structure : Free Liquid Standing
 - Rounded Welding : High Reliability
 - Characteristics : Corrosion-Resistance, Heat-Resistance
 - Ultra Powerful Magnetic Force : Rare Earth Magnet Nd, Sm

MLC-455



MLC-557P



Casing : SUS304/316/316L · Titanium

Model	Size (IDF)	Nos. of Magnet	Length (ℓ) (mm)
MLC-354 (P)	3.5 S	4	400 (170)
MLC-404 (P)	4.0 S	4	400 (220)
MLC-455 (P)	4.5 S	5	400 (230)
[MLC-457 (P)]	4.5 S	7	400 (230)
MLC-557 (P)	5.5 S	7	520 (240)

Magnet	Nd (-N), Sm (-S)
--------	------------------

※ Custom Sizes are Available.

REPRESENTATIVE

MANUFACTURING:

MAGNETEC JAPAN LTD.

MAIN OFFICE :

Phone 81-4-2948-9995

FAX 81-4-2948-6628

E-mail: support @ magnetec.co.jp

URL: http://www.magnetec.co.jp

※ Magnetic Flux Density can be designed and conformed to your requirement.

※ Model and Specification subject to change without Notice.