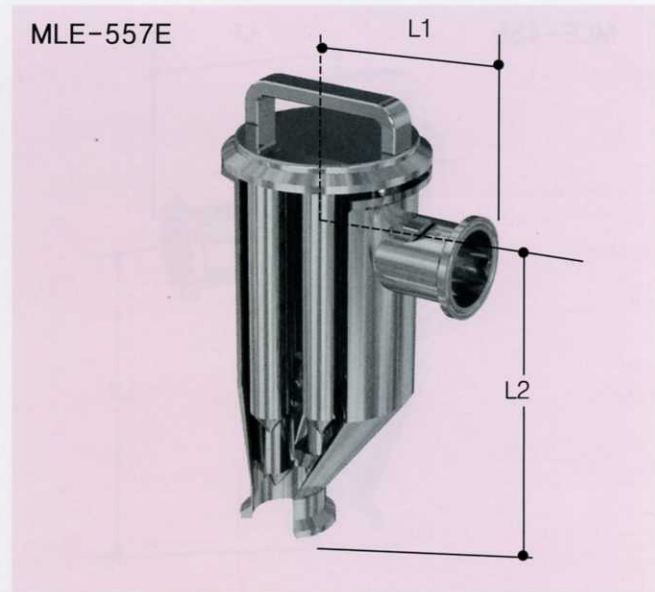
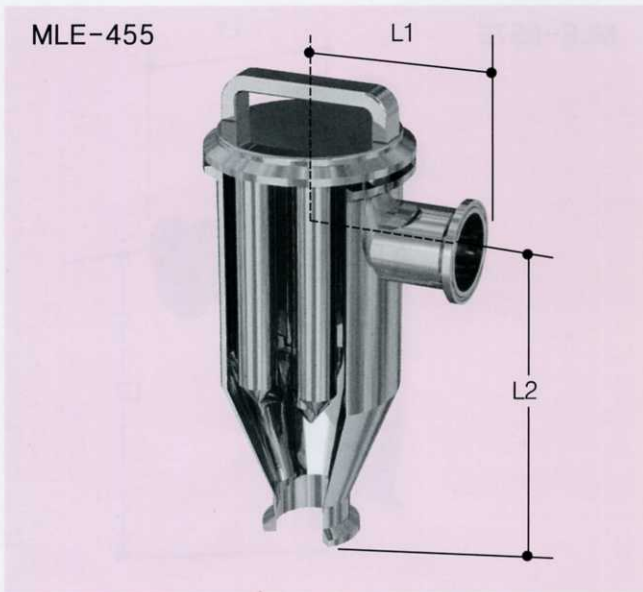




MAGNETEC JAPAN LTD.

# ELBO TYPE MAGNET FILTER

- Specification: Application for Food & Medical Industry
- Structure: Free Liquid Straining
- Rounded Welding: high Reliability
- Characteristics: Corrosion-Resistance, Heat-Resistance
- Ultra Powerful Magnetic Force: Rare Earth Magnet Nd, Sm



Casing : SUS304/316/316L · Titanium

型 式	Piping-Sizes (IDF)	Size (IDF)	Nos.of Magnet	Length (mm)
MLE-354 (E)	1S, 1.5S	3.5 S	4	100(120) × 190
MLE-404 (E)	1.5S, 2S	4.0 S	4	100(120) × 260
MLE-455 (E)	1.5S, 2S, 2.5S	4.5 S	5	130(150) × 260
[ MLE-457 (E) ]	1.5S, 2S, 2.5S, 3S	4.5 S	7	130(150) × 260
MLE-557 (E)	2.5S, 3S, 3.5S, 4S	5.5 S	7	150(180) × 270

Magnet	Nd (-N), Sm (-S)
--------	------------------

\*Custom Sizes are Available.

REPRESENTATIVE

MANUFACTURING:

## MAGNETEC JAPAN LTD.

MAIN OFFICE :

Phone 81-4-2948-9995

FAX 81-4-2948-6628

E-mail: support @ magnetec.co.jp

URL: http://www.magnetec.co.jp

\* Magnetic Flux Density can be designed and conformed to your requirement.

\* Model and Specification subject to change without Notice.