

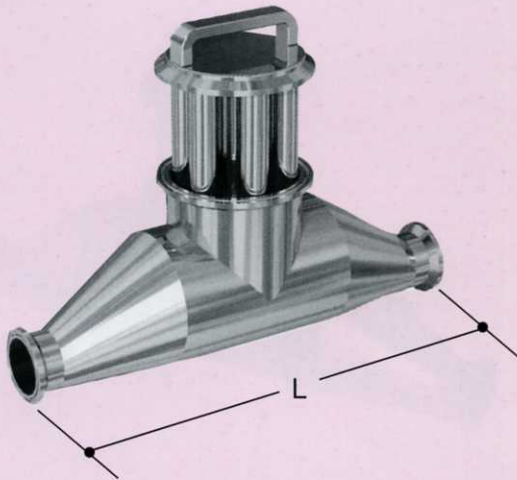


MAGNETEC JAPAN LTD.

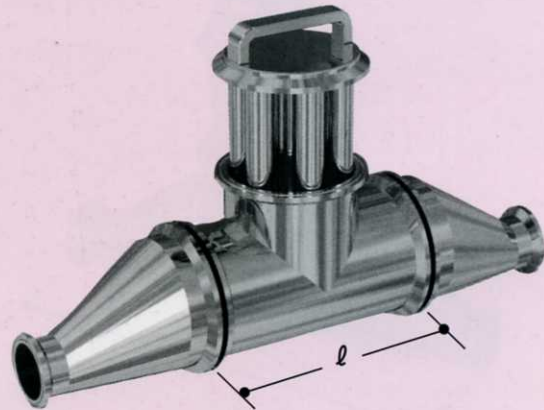
ROUND TYPE MAGNET FILTER

- Specification : Application for Food & Medical Industry
- Structure : Free Liquid Standing
- Rounded Welding : High Reliability
- Characteristics : Corrosion-Resistance, Heat-Resistance
- Ultra Powerful Magnetic Force : Rare Earth Magnet Nd, Sm

MLR-455



MLR-557P



Casing : SUS304/316/316L · Titanium

Model	Size (IDF)	Nos.of Magnet	Length(ℓ) (mm)
MLR-354 (P)	3.5 S	4	400 (170)
MLR-404 (P)	4.0 S	4	400 (220)
MLR-455 (P)	4.5 S	5	400 (230)
[MLR-457 (P)]	4.5 S	7	400 (230)
MLR-557 (P)	5.5 S	7	520 (240)

Magnet	Nd (-N), Sm (-S)
--------	------------------

*Custom sizes are Available.

REPRESENTATIVE

MANUFACTURING:

MAGNETEC JAPAN LTD.

MAIN OFFICE :

Phone 81-4-2948-9995

FAX 81-4-2948-6628

E-mail:support @ magnetec.co.jp

URL:http://www.magnetec.co.jp

* Magnetic Flux Density can be designed and conformed to your requirement.

* Model and Specification subject to change without Notice.