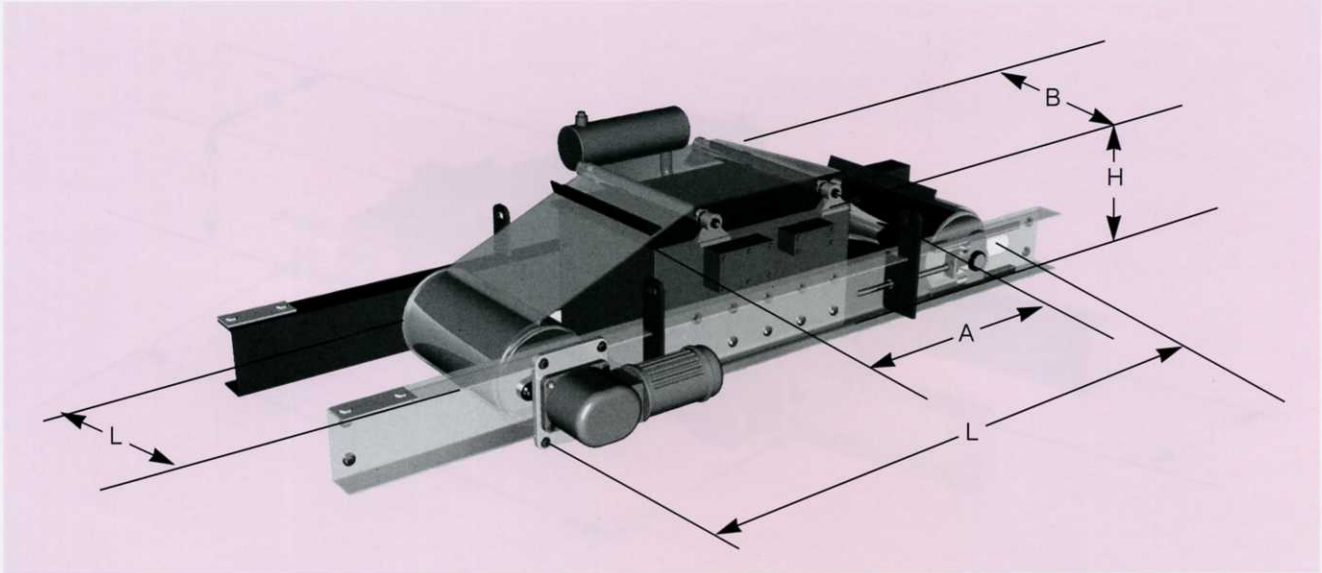




MAGNETEC JAPAN LTD.

SUSPENDED MAGNETS (ELECTRO)

- Performing powerful magnetic field strength on the Belt.
- The most suitable application used where tramp metal volume are high and continuous operation required.



型 式	A (mm)	B (mm)	L (mm)	W (mm)	H (mm)	Belt (mm)	Motor(Kw)		Weight (kg)
							Magnet	Conveyer	
MSEK-600	650	560	2085	950	970	600	1.2	1.5	950
MSEK-700	750	700	2090	1050	970	700	2	1.5	1100
MSEK-800	880	800	2280	1150	1000	800	3	2.2	1500
MSEK-1000	1150	1000	2665	1350	1040	1000	4.5	2.2	2400
MSEK-1100	1300	1100	2895	1450	1060	1100	5.5	3.7	3100
MSEK-1300	1500	1300	3200	1650	1100	1300	7.5	3.7	4200
MSEK-1500	1650	1500	3650	1850	1320	1500	10	5.5	7500

※ Custom Sizes are Available.

REPRESENTATIVE

MANUFACTURING:

MAGNETEC JAPAN LTD.

MAIN OFFICE :

Phone 81-4-2948-9995

FAX 81-4-2948-6628

E-mail: support @ magnetec.co.jp

URL: <http://www.magnetec.co.jp>

※ Model and Specification subject to change without Notice.