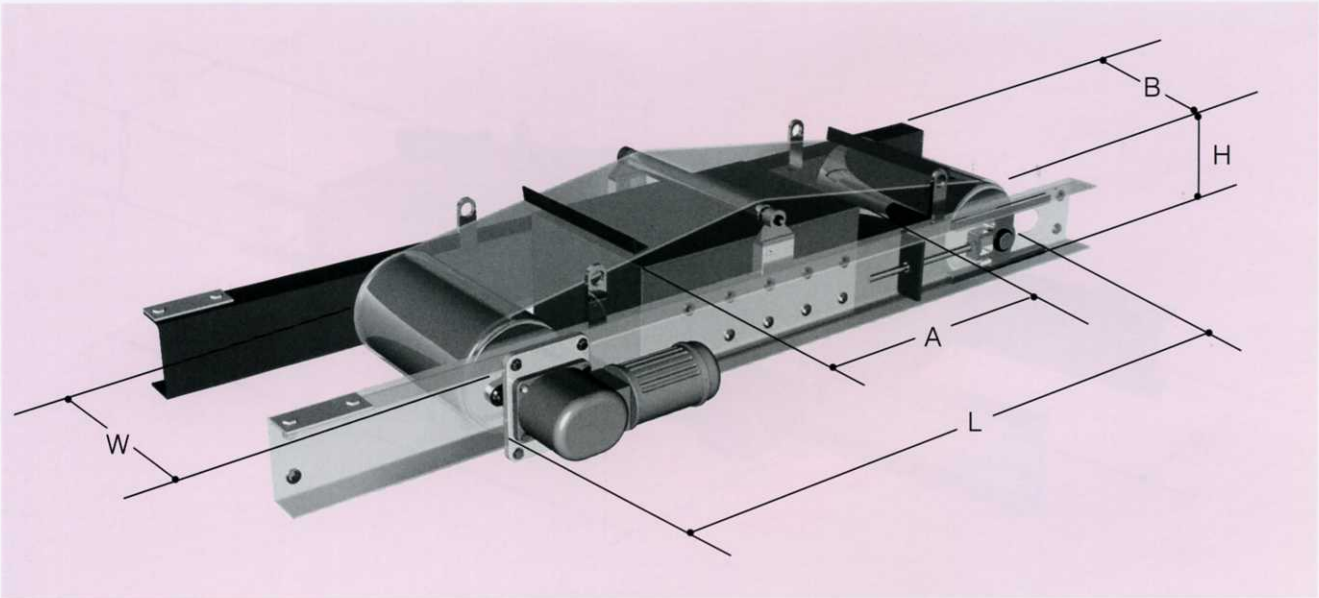




MAGNETEC JAPAN LTD.

SUSPENDED MAGNETS (PERMANENT)

- Performing powerful magnetic field strength on the Belt.
- The most suitable application used where tramp metal Volume are high and continuous operation required.



| Model | A (mm) | B (mm) | L (mm) | W (mm) | H (mm) | Belt (mm) | Motot(kw) | Weight (kg) |
|-----------|--------|--------|--------|--------|--------|-----------|-----------|-------------|
| MSPK-350 | 450 | 300 | 1700 | 640 | 265 | 350 | 0.75 | 380 |
| MSPK-450 | 550 | 400 | 1800 | 740 | 265 | 450 | 0.75 | 440 |
| MSPK-550 | 700 | 500 | 2100 | 840 | 265 | 550 | 0.75 | 520 |
| MSPK-750 | 800 | 650 | 2200 | 1030 | 265 | 750 | 1.5 | 710 |
| MSPK-800 | 900 | 700 | 2300 | 1150 | 265 | 800 | 1.5 | 950 |
| MSPK-1050 | 1300 | 950 | 2700 | 1400 | 265 | 1050 | 1.5 | 1200 |

※ Custom Sizes are Available.

REPRESENTATIVE

MANUFACTURING:

MAGNETEC JAPAN LTD.

MAIN OFFICE :

Phone 81-4-2948-9995

FAX 81-4-2948-6628

E-mail:support @ magnetec.co.jp

URL:http://www.magnetec.co.jp

※ Model and Specification subject to change without Notice.