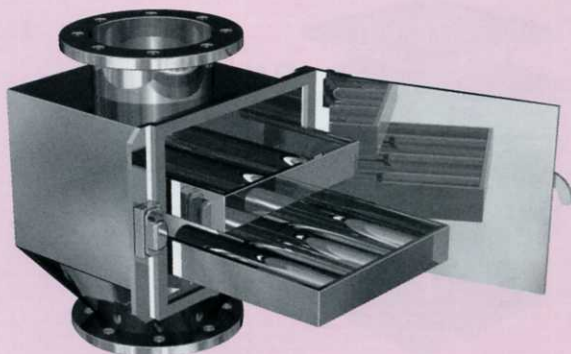




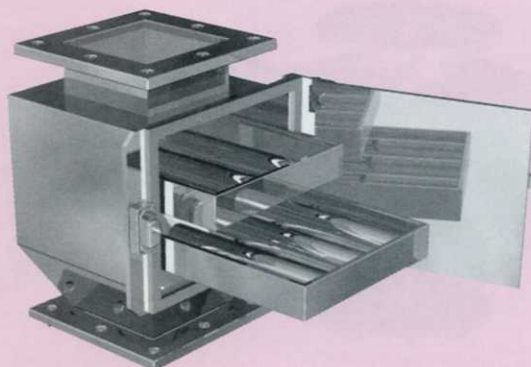
MAGNETEC JAPAN LTD.

HOUSING (FOR GRATE MAGNET)

MHSR-170



MHSS-170



※ Photo : SET WITH ONE HAND GRATE MAGNET <MG3-170> FOR REFERENCE

● Housing for Round pipe

Material : SUS304 / 316 / 316L

Model	Inlet / Outlet	Magnet Grate Size	Height (mm)				Capacity (m ³ /h)	Weight (kg)
			1 st	2 nd	3 rd	4 th		
MHSR-170	JIS100A	□ 170	250	310	370	430	4	10.7
MHSR-220	JIS125A/150A	□ 220					6	15.5/17.9
MHSR-270	JIS200A	□ 270					10	27.0
MHSR-320	JIS250A	□ 320					15	36.6
MHSR-370	JIS300A	□ 370					20	45.0
MHSR-420	JIS350A	□ 420					26	55.1

● Housing for Square pipe

Material : SUS304 / 316 / 316L

Model	Inlet / Outlet	Magnet Grate Size	Height (mm)				Capacity (m ³ /h)	Weight (kg)
			1 st	2 nd	3 rd	4 th		
MHSS-170	□ 100	□ 170	250	310	370	430	4	10.7
MHSS-220	□ 150	□ 220					6	15.5/17.9
MHSS-270	□ 200	□ 270					10	27.0
MHSS-320	□ 250	□ 320					15	36.6
MHSS-370	□ 300	□ 370					20	45.0
MHSS-420	□ 350	□ 420					26	55.1

※ Custom Sizes and Door Types are Available upon Request

REPRESENTATIVE

MANUFACTURING:

MAGNETEC JAPAN LTD.

MAIN OFFICE :

Phone 81-4-2948-9995

FAX 81-4-2948-6628

E-mail:support @ magnetec.co.jp

URL:http://www.magnetec.co.jp

※ Magnetic Flux Density can be designed and conformed to your requirement.

※ Model and Specification subject to change without Notice.