

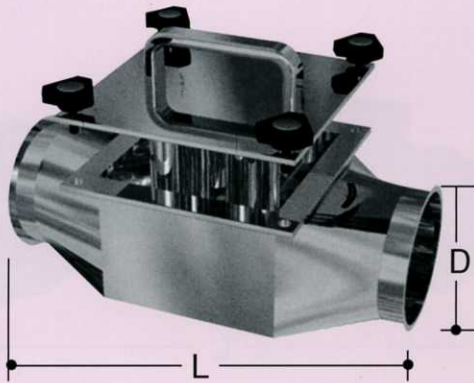


MAGNETEC JAPAN LTD.

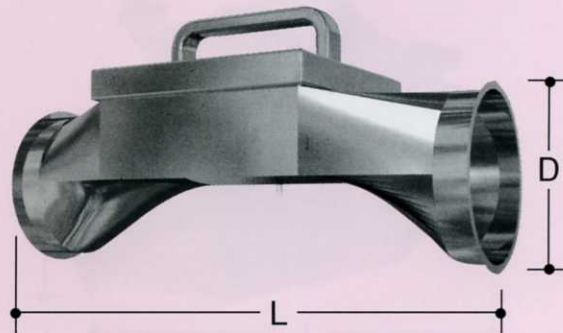
SPOUT MAGNETS

- Super Powerful Magnetic Force: High Grade Rare Earth Magnet (Nd • Sm)
- More Purify: Apply to Stone Passed Metal Detector or Color Sorter
- Machine Protection: Gravity Separator & Rice-Polishing Machine
- Custom Sizes are Available

MSG - 110



MSP - 110



《Bar Type》

SUS304/SUS316 · SUS316L · Titanium

| Model | D (mm) | L (mm) | Nos. of Magnet | Capacity (m ³ /h) |
|---------|--------|--------|----------------|------------------------------|
| MSG-110 | 110 | 400 | 8 | 5 |
| MSG-150 | 150 | 440 | 9 | 9 |

| | |
|--------|------------------|
| Magnet | Nd (-N), Sm (-S) |
|--------|------------------|

《Plate Type》

SUS304/SUS316 · SUS316L · Titanium

| Model | D (mm) | L (mm) | Nos. of Magnet | Capacity (m ³ /h) |
|---------|--------|--------|----------------|------------------------------|
| MSP-110 | 110 | 400 | □ 150 | 5 |
| MSP-150 | 150 | 440 | □ 200 | 9 |

* Custom Sizes are Available.

REPRESENTATIVE

MANUFACTURING:

MAGNETEC JAPAN LTD.

MAIN OFFICE :

Phone 81-4-2948-9995

FAX 81-4-2948-6628

E-mail: support @ magnetec.co.jp

URL: http://www.magnetec.co.jp

* Magnetic Flux Density can be designed and conformed to your requirement.

* Model and Specification subject to change without Notice.