

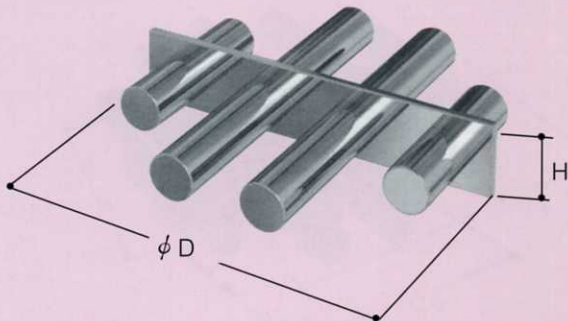


MAGNETEC JAPAN LTD.

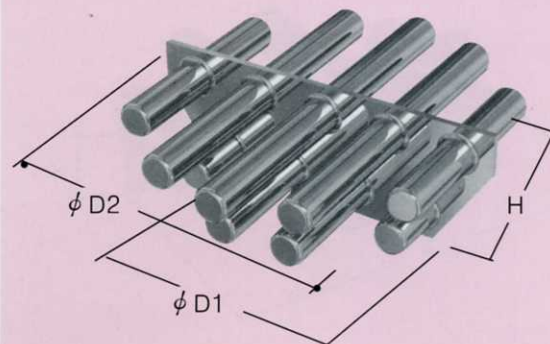
# GRATE MAGNETS FOR ROUND HOPPER

- Quick Cleaning
- High Efficiency: High Grade Rare Earth Magnet (Nd•Sm)
- Custom Sizes are Available accords to existing Hopper
- Reasonable Price
- Application: Wear Resistance, Corrosion Resistance, Heat Resistance, Sanitary

MHR-1-200-22N



MHR-2-200-25N



《One Layer Type》 Material : SUS304/316/316L · Titanium

Model	Size (mm)		Nos. of Magnet	Capacity (m <sup>3</sup> /h)
	φ D	H		
MHR-1-150	φ 150	38	3	3
MHR-1-200	φ 200	38	4	4.5
MHR-1-250	φ 250	50	5	7.5
MHR-1-300	φ 300	50	6	11
MHR-1-350	φ 350	50	7	15
MHR-1-400	φ 400	50	8	19

《Two Layers Type》 Material : SUS304/316/316L · Titanium

Model	Size (mm)		Nos. of Magnet	Capacity (m <sup>3</sup> /h)
	φ D1(D2)	H		
MHR-2-150	φ 150(220)	90	4+3	3
MHR-2-200	φ 200(270)	90	5+4	4.5
MHR-2-250	φ 250(320)	90	6+5	7.5
MHR-2-300	φ 300(370)	90	7+6	11
MHR-2-350	φ 350(420)	90	8+7	15
MHR-2-400	φ 400(470)	90	9+8	19

Magnet

φ 25Nd( -25N), φ 22Nd( -22N), φ 25Sm( -25S), φ 22Sm( -22S)

※ Magnet Center Pitch=50mm

REPRESENTATIVE

MANUFACTURING:

## MAGNETEC JAPAN LTD.

MAIN OFFICE :

Phone 81-4-2948-9995

FAX 81-4-2948-6628

E-mail:support @ magnetec.co.jp

URL:http://www.magnetec.co.jp

※ Magnetic Flux Density can be designed and conformed to your requirement.

※ Model and Specification subject to change without Notice.