

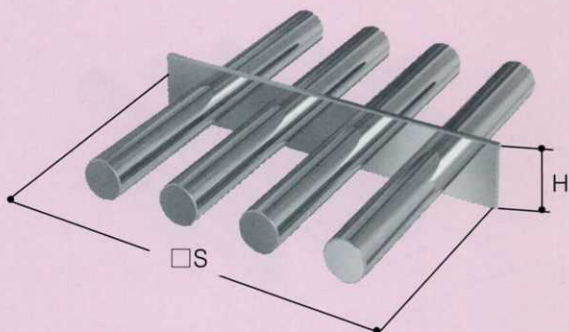


MAGNETEC JAPAN LTD.

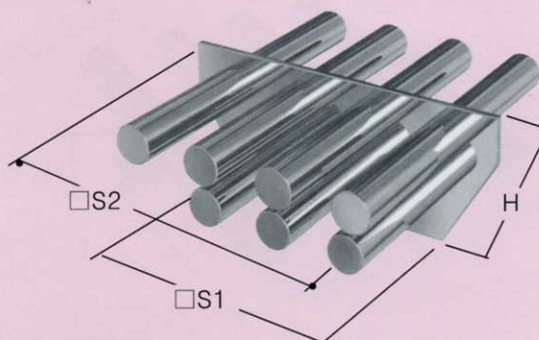
GRATE MAGNETS FOR SQUARE HOPPER

- Quick Cleaning
- High Efficiency: High Grade Rare Earth Magnet (Nd•Sm)
- Custom Sizes are Available accords to existing Hopper
- Reasonable Price
- Application: Wear Resistance, Corrosion Resistance, Heat Resistance, Sanitary

MHS-1-200-25N



MHS-2-150-25N



《One Layer Type》

Material : SUS304/316/316L · Titanium

Model	Size (mm)		Nos. of Magnet	Capacity (m ³ /h)
	□S	H		
MHS-1-150	□150	38	3	4
MHS-1-200	□200	38	4	6
MHS-1-250	□250	50	5	10
MHS-1-300	□300	50	6	15
MHS-1-350	□350	50	7	20
MHS-1-400	□400	50	8	26

《Two Layers Type》

Material : SUS304/316/316L · Titanium

Model	Size (mm)		Nos. of Magnet	Capacity (m ³ /h)
	□S1(S2)	H		
MHS-2-150	□150(220)	90	4+3	4
MHS-2-200	□200(270)	90	5+4	6
MHS-2-250	□250(320)	90	6+5	10
MHS-2-300	□300(370)	90	7+6	15
MHS-2-350	□350(420)	90	8+7	20
MHS-2-400	□400(470)	90	9+8	26

Magnet

φ 25Nd(-25N), φ 22Nd(-22N), φ 25Sm(-25S), φ 22Sm(-22S)

※ Magnet Center Pitch=50mm

REPRESENTATIVE

MANUFACTURING:

MAGNETEC JAPAN LTD.

MAIN OFFICE :

Phone 81-4-2948-9995

FAX 81-4-2948-6628

E-mail:support @ magnetec.co.jp

URL:http://www.magnetec.co.jp

※ Magnetic Flux Density can be designed and conformed to your requirement.
 ※ Model and Specification subject to change without Notice.