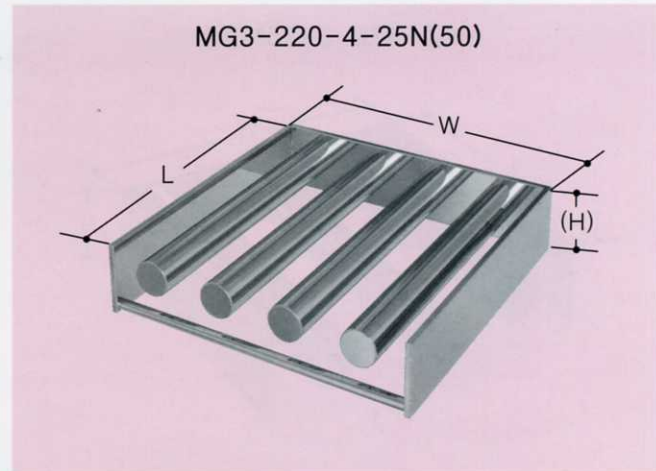




MAGNETEC JAPAN LTD.

ONE HAND GRATE MAGNETS

- Quick Cleaning
 - High Efficiency: High Grade Rare Earth Magnet (Nd•Sm)
 - Custom Sizes are Available
 - Reasonable Price
 - Application: Wear Resistance, Corrosion Resistance, Heat Resistance, Sanitary



Surface Material: SUS304/316/316L • Titanium

Model	Size (mm)			Nos. of Magnet	Weight (kg)				Capacity (m ³ /h)
	W	L	H (H)		φ 25Nd (-25N)	φ 22Nd (-22N)	φ 25Sm (-25S)	φ 22Sm (-22S)	
MG3-170-3	170	170	38	3	2.8	2.4	2.7	2.3	4
MG3-170-2	170	170	38	2	2.2	2.0	2.1	1.9	
MG3-220-4	220	220	38	4	4.5	3.8	4.3	3.6	6
MG3-220-3	220	220	38	3	3.7	3.2	3.5	3.0	
MG3-270-5	270	270	50	5	6.4	5.4	6.1	5.1	10
MG3-270-4	270	270	50	4	5.5	4.6	5.2	4.4	
MG3-320-6	320	320	50	6	8.8	7.3	8.4	6.9	15
MG3-320-5	320	320	50	5	7.6	6.4	7.2	6.1	
MG3-370-7	370	370	50	7	11.5	9.4	11.0	8.9	20
MG3-370-6	370	370	50	6	10.2	8.4	9.7	8.0	

* Magnet Center Pitch=50mm

* Multi-Layers Grate are Available

REPRESENTATIVE

MANUFACTURING:

MAGNETEC JAPAN LTD.

MAIN OFFICE :

Phone 81-4-2948-9995

FAX 81-4-2948-6628

E-mail: support @ magnetec.co.jp

URL: http://www.magnetec.co.jp

* Magnetic Flux Density can be designed and conformed to your requirement.

* Model and Specification subject to change without Notice.